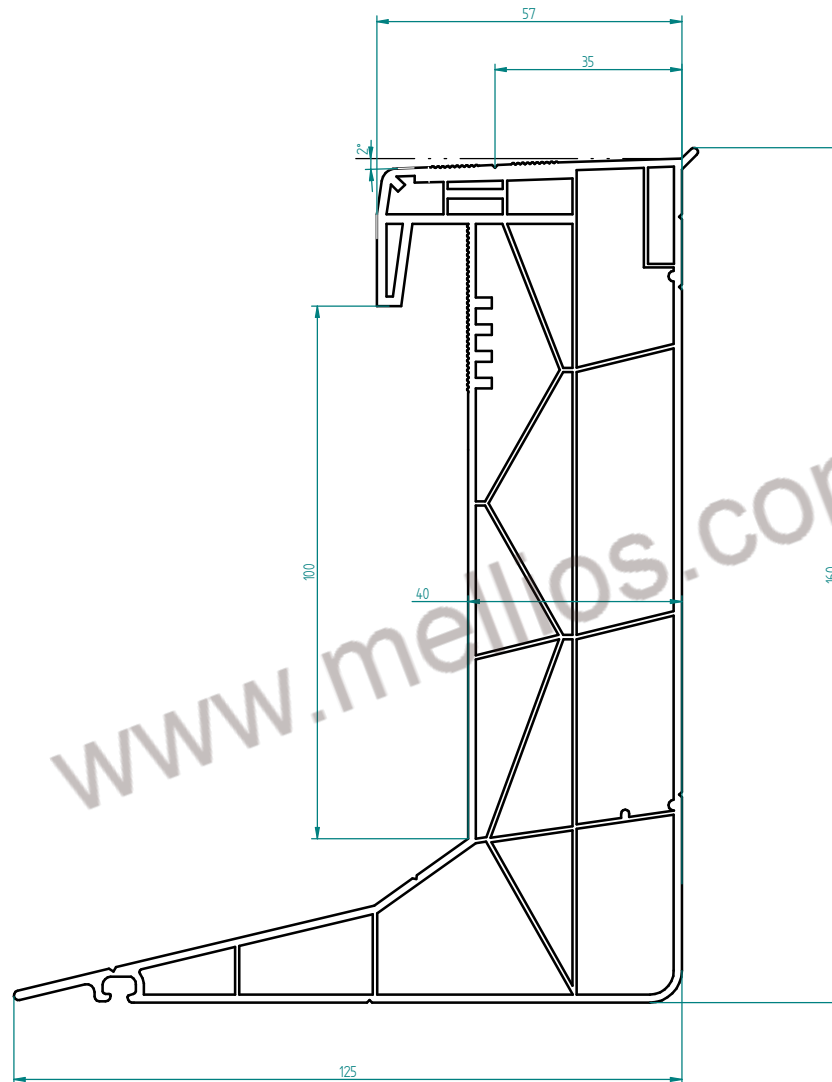



PVC 16-00

REVISION HISTORY			
REV	DESCRIPTION	DATE	APPROVED
1	Tolerances and weight	29/05/17	VS
2	Remove Lip coex on left bottom	09/06/17	VS



www.mellos.com.gr

Material	PVC	
Density	1,465 kg/dm ³	
Mass	2,063 kg	FILE NAME: PVC opstand 16 00 def - commercieel TITLE:
Volume	1,41 dm ³	
Surface	2,18 m ²	A3 1
Ixx	694739,750000 kg.mm ²	
Designer	Vosa	Last modification on 12/06/2017 SCALE:
Date	12/06/2017	
TOLERANCES: according appropriate standard e.g. DIN12002, DIN10941, DIN10901, DIN1168 M, etc.		SHEET 1 OF 1