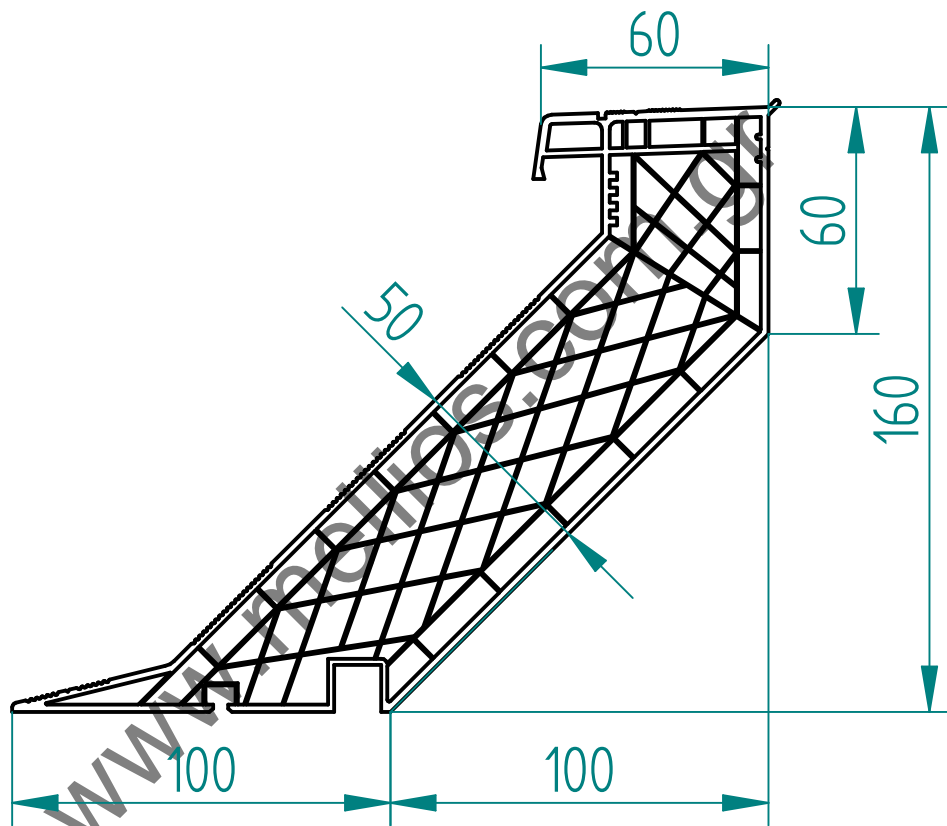



16/20 EP

REVISION HISTORY			
REV	DESCRIPTION	DATE	APPROVED



Material	PVC	
Density	1,385 kg/dm <sup>3</sup>	
Mass	3,045 kg	FILE NAME: Draft1
Volume	2,20 dm <sup>3</sup>	TITLE:
Surface	4,38 m <sup>2</sup>	A4
Ixx	1179058,125000 kg,mm <sup>2</sup>	1
Designer	tods	Last modification on
Date	Error: No reference	Error: No reference
<small>UNLESS OTHERWISE SPECIFIED DIMENSIONS ARE IN MILLIMETERS</small>		SCALE:
<small>ANGLES: +XX° 2 PL -XXX 3 PL -XXXX</small>		SHEET 1 OF 1